

Application

For E-scooter & E-motorcycles charging & discharging use; cable solution

Advantages

- Snap joint locking mechanism
- Self-locking button to prevent accidental unlocking
- Signal wires 0~9 for choose
- Fully reduced bending space, compact shape
- With audible click when locking engaged
- RoHS



Specification

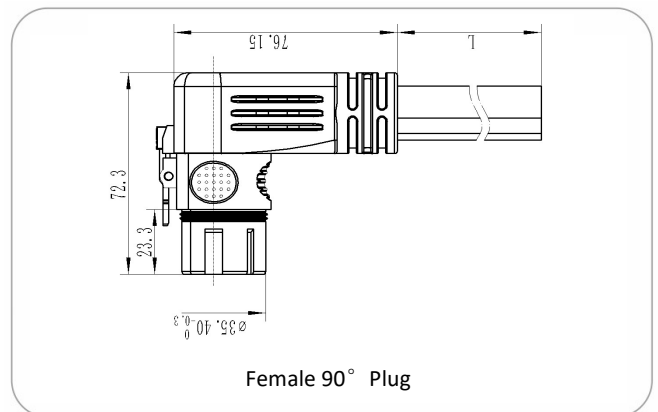
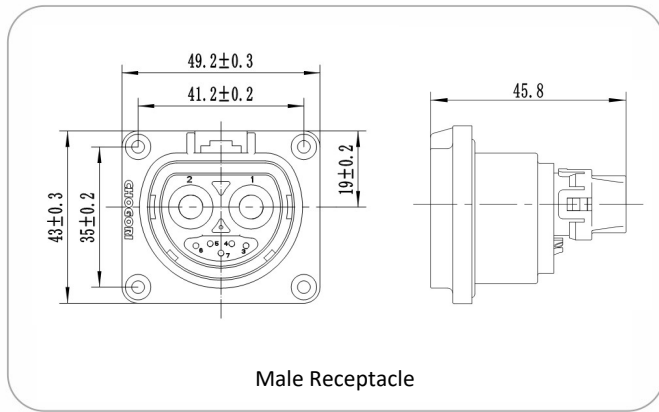
Mating Cycle: ≥3000 Times
 Mating force/Unmating force:
 <100N
 Wire processing: Crimping /
 Weld

Voltage Rating: 630V DC
 Current Rating: 100A
 Peak Current: Power 180A 30S
 Withstand Voltage: 2500V AC
 Insulation Resistance: >100MΩ

Operating Temperature: -40°C~105°C
 IP Rating: IP66 mated; IP67 panel side
 Salt Spray: 96h
 Flammability Rating: UL94V-0

Shell: High strength thermoplastic resin
 Sealing: Silicone Rubber
 Contact: Copper Alloy, Silver/Gold
 Plated

Dimension



Temperature Curve Graph

