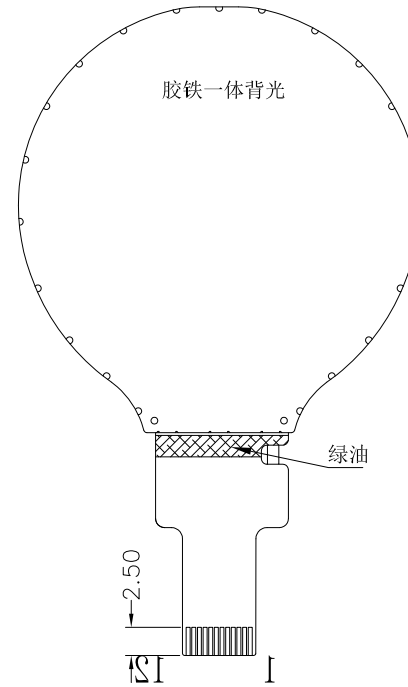
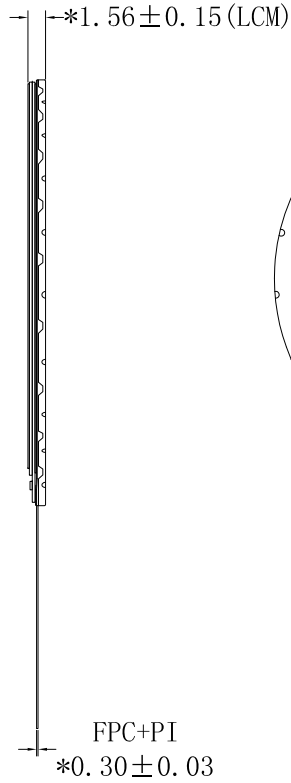
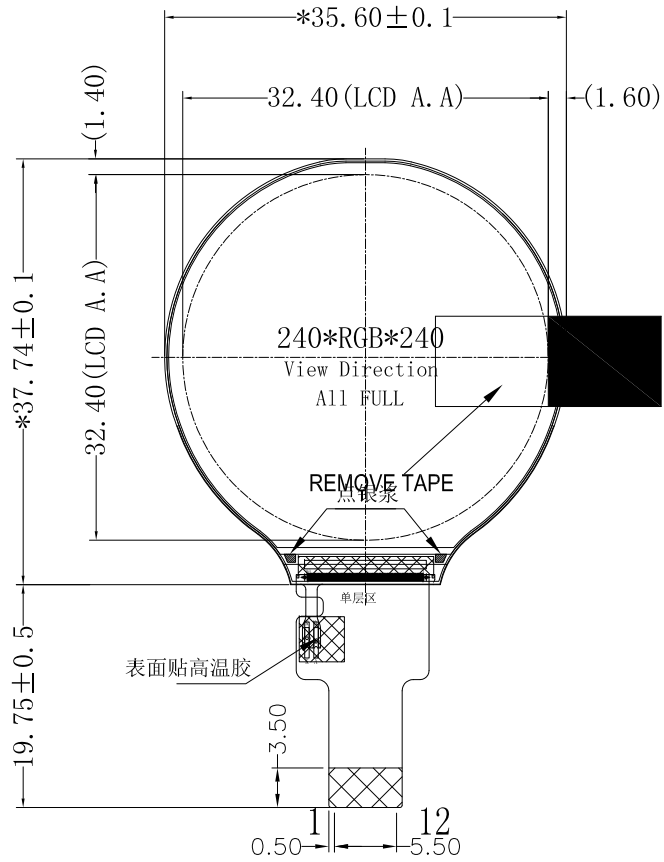


REV.	DRG DATE	DESCRIPTION	DRAWN BY
1.0			

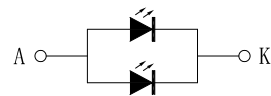
A
B
C
D
E



1	LEDA
2	LEDK
3	VCC
4	I0VCC
5	GND
6	RESET
7	CS
8	SPI_CLK
9	SPI-RS
10	SPI-SDA
11	FMARK
12	GND

Specification:

1. Viewing angle: FREE
2. Display mode: Normally Black
3. Operating temp: -20° C~+60° C
4. Storage temp: -30° C~+70° C
5. LCD Driver IC: GC9A01
6. Backlight: 2 chip White LED
7. General Tolerance: ±0.2
8. ROHS Request
9. 建议贴合的TP开窗尺寸为LCD AA尺寸长+0.3mm/宽+0.3mm;



电压3.2V, 电流40MA

DRG DATE	20211108	TITLE	LCM OUTLINE	Rocktech Displays Limited			
CHECK	LIGANG	MODEL	RK013HF016	REV.	UNIT	SIZE	(3)
CHECK		DWG No.			mm	A4	
APPROVE		PAGE	1 OF 1				