

## Mate 2+1+5



## Technical Parameters

Number of  
Positions: 2+1+5

Current Rating  
(Amps) :  
50A+15A+2A

Voltage Rating: 72V DC

Operating Temperature: -40°C to +85°C

Fastening Type: Push-lock

Plug type: Right Angle / Straight

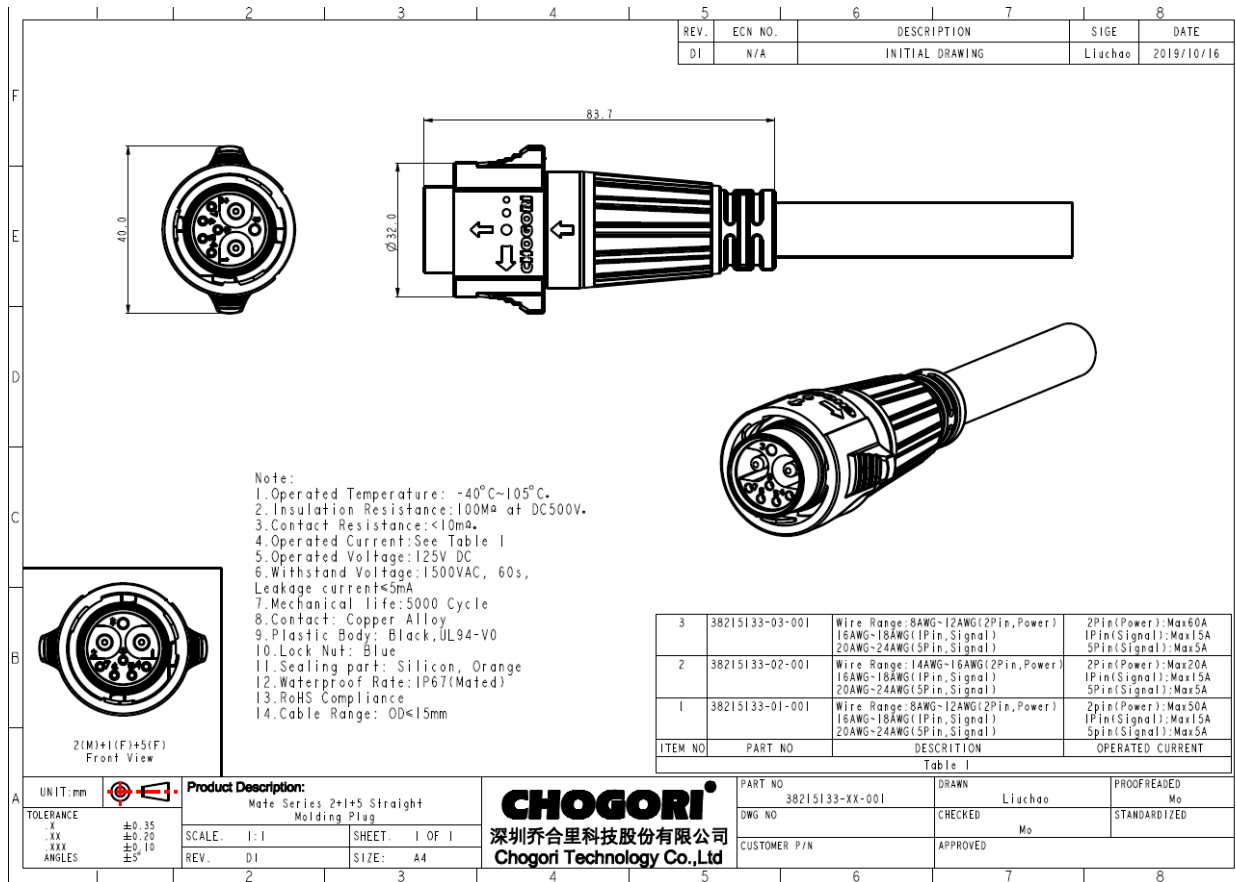
IP Level:  
Receptacle IPX7  
unmated; IPX7  
mated

Mechanical life:  
> 5000times

Applications: E-  
scooter

	2	3	4	5	6	7	8																		
F	<p>Panel Cut-out Thickness max. 5mm</p>			<table border="1" style="width:100%; border-collapse: collapse;"> <tr> <th>REV.</th> <th>ECN NO.</th> <th>DESCRIPTION</th> <th>SIGE</th> <th>DATE</th> </tr> <tr> <td>CI</td> <td>N/A</td> <td>INITIAL DRAWING</td> <td>Liuchao</td> <td>2019/10/14</td> </tr> </table>				REV.	ECN NO.	DESCRIPTION	SIGE	DATE	CI	N/A	INITIAL DRAWING	Liuchao	2019/10/14								
REV.	ECN NO.	DESCRIPTION	SIGE	DATE																					
CI	N/A	INITIAL DRAWING	Liuchao	2019/10/14																					
E																									
D																									
C																									
B	<p>Note:</p> <ol style="list-style-type: none"> <li>Operated Temperature: <math>-40^{\circ}\text{C}\sim 105^{\circ}\text{C}</math>.</li> <li>Insulation Resistance: <math>100\text{M}\Omega</math> at DC500V.</li> <li>Contact Resistance: <math>&lt;10\text{m}\Omega</math>.</li> <li>Operated Current: <math>60\text{A}(8\text{AWG})+15\text{A}(14\text{AWG})+5\text{A}(18\text{AWG})</math></li> <li>Operated Voltage: 125V DC</li> <li>Withstand Voltage: 1500VAC, 60s.</li> <li>Leakage current <math>&lt;5\text{mA}</math></li> <li>Mechanical life: 5000 Cycle</li> <li>Contact: Copper Alloy</li> <li>Plastic Body: Black, UL94-V0</li> <li>Sealing part: Silicon</li> <li>Waterproof Rate: IP67(Unmated)</li> <li>RoHS Compliance</li> <li>Wire Range: 2pin—8AWG-10AWG(OD<math>\leq 6.5\text{mm}</math>) 1pin—16AWG-18AWG(OD<math>\leq 3.2\text{mm}</math>) 5pin—20AWG-24AWG(OD<math>\leq 2.2\text{mm}</math>)</li> </ol>			<table border="1" style="width:100%; border-collapse: collapse;"> <tr> <td>2</td> <td>38215636-02</td> <td>Wire Range: 14AWG-16AWG(2Pin,Power) 16AWG-18AWG(1Pin,Signal) 20AWG-24AWG(5Pin,Signal)</td> <td>2Pin(Power):Max20A 1Pin(Signal):Max15A 5Pin(Signal):Max5A</td> </tr> <tr> <td>1</td> <td>38215636-01</td> <td>Wire Range: 8AWG-12AWG(2Pin,Power) 16AWG-18AWG(1Pin,Signal) 20AWG-24AWG(5Pin,Signal)</td> <td>2pin(Power):Max60A 1Pin(Signal):Max15A 5pin(Signal):Max5A</td> </tr> <tr> <th>ITEM NO</th> <th>PART NO</th> <th>DESCRIPTION</th> <th>OPERATED CURRENT</th> </tr> </table>				2	38215636-02	Wire Range: 14AWG-16AWG(2Pin,Power) 16AWG-18AWG(1Pin,Signal) 20AWG-24AWG(5Pin,Signal)	2Pin(Power):Max20A 1Pin(Signal):Max15A 5Pin(Signal):Max5A	1	38215636-01	Wire Range: 8AWG-12AWG(2Pin,Power) 16AWG-18AWG(1Pin,Signal) 20AWG-24AWG(5Pin,Signal)	2pin(Power):Max60A 1Pin(Signal):Max15A 5pin(Signal):Max5A	ITEM NO	PART NO	DESCRIPTION	OPERATED CURRENT						
2	38215636-02	Wire Range: 14AWG-16AWG(2Pin,Power) 16AWG-18AWG(1Pin,Signal) 20AWG-24AWG(5Pin,Signal)	2Pin(Power):Max20A 1Pin(Signal):Max15A 5Pin(Signal):Max5A																						
1	38215636-01	Wire Range: 8AWG-12AWG(2Pin,Power) 16AWG-18AWG(1Pin,Signal) 20AWG-24AWG(5Pin,Signal)	2pin(Power):Max60A 1Pin(Signal):Max15A 5pin(Signal):Max5A																						
ITEM NO	PART NO	DESCRIPTION	OPERATED CURRENT																						
A	<p>UNIT:mm </p> <p><b>Product Description:</b></p> <p>Mate Series 2+1+5 Flange Panel</p> <p>SCALE: 1:1      SHEET: 1 OF 1</p> <p>REV. CI      SIZE: A4</p>			<p style="text-align:center;"><b>CHOGORI</b></p> <p style="text-align:center;">深圳齐合里科技股份有限公司 Chogori Technology Co.,Ltd</p> <table border="1" style="width:100%; border-collapse: collapse;"> <tr> <td>PART NO</td> <td>38215636-01</td> <td>DRAWN</td> <td>Liuchao</td> <td>PROOFREADED</td> <td>Mo</td> </tr> <tr> <td>DWG NO</td> <td></td> <td>CHECKED</td> <td>Mo</td> <td>STANDARDIZED</td> <td></td> </tr> <tr> <td>CUSTOMER P/N</td> <td></td> <td>APPROVED</td> <td></td> <td></td> <td></td> </tr> </table>				PART NO	38215636-01	DRAWN	Liuchao	PROOFREADED	Mo	DWG NO		CHECKED	Mo	STANDARDIZED		CUSTOMER P/N		APPROVED			
PART NO	38215636-01	DRAWN	Liuchao	PROOFREADED	Mo																				
DWG NO		CHECKED	Mo	STANDARDIZED																					
CUSTOMER P/N		APPROVED																							
	2	3	4	5	6	7	8																		

THIS INFORMATION IS CONFIDENTIAL AND IS DISCLOSED TO YOU ON CONDITION THAT NO FURTHER DISCLOSURE IS MADE BY YOU TO OTHER THAN CHOGORI PERSONNEL WITHOUT AUTHORIZATION FROM CHOGORI CORP.



REV.	ECN NO.	DESCRIPTION	SIGE	DATE
DI	N/A	INITIAL DRAWING	Liuchao	2019/10/16

- Note:
1. Operated Temperature: -40°C~105°C.
  2. Insulation Resistance: 100M $\Omega$  at DC500V.
  3. Contact Resistance: <10m $\Omega$ .
  4. Operated Current: See Table 1
  5. Operated Voltage: 125V DC
  6. Withstand Voltage: 1500VAC, 60s, Leakage current <5mA
  7. Mechanical Life: 5000 Cycle
  8. Contact: Copper Alloy
  9. Plastic Body: Black, UL94-V0
  10. Lock Nut: Blue
  11. Sealing part: Silicon, Orange
  12. Waterproof Rate: IP67(Mated)
  13. RoHS Compliance
  14. Cable Range: OD<15mm



2(M)+1(F)+5(F)  
Front View

ITEM NO	PART NO	DESCRIPTION	OPERATED CURRENT
3	38215133-03-001	Wire Range: 8AWG-12AWG(2Pin, Power) 16AWG-18AWG(1Pin, Signal) 20AWG-24AWG(5Pin, Signal)	2Pin(Power): Max60A 1Pin(Signal): Max15A 5Pin(Signal): Max5A
2	38215133-02-001	Wire Range: 14AWG-16AWG(2Pin, Power) 16AWG-18AWG(1Pin, Signal) 20AWG-24AWG(5Pin, Signal)	2Pin(Power): Max20A 1Pin(Signal): Max15A 5Pin(Signal): Max5A
1	38215133-01-001	Wire Range: 8AWG-12AWG(2Pin, Power) 16AWG-18AWG(1Pin, Signal) 20AWG-24AWG(5Pin, Signal)	2Pin(Power): Max50A 1Pin(Signal): Max15A 5Pin(Signal): Max5A

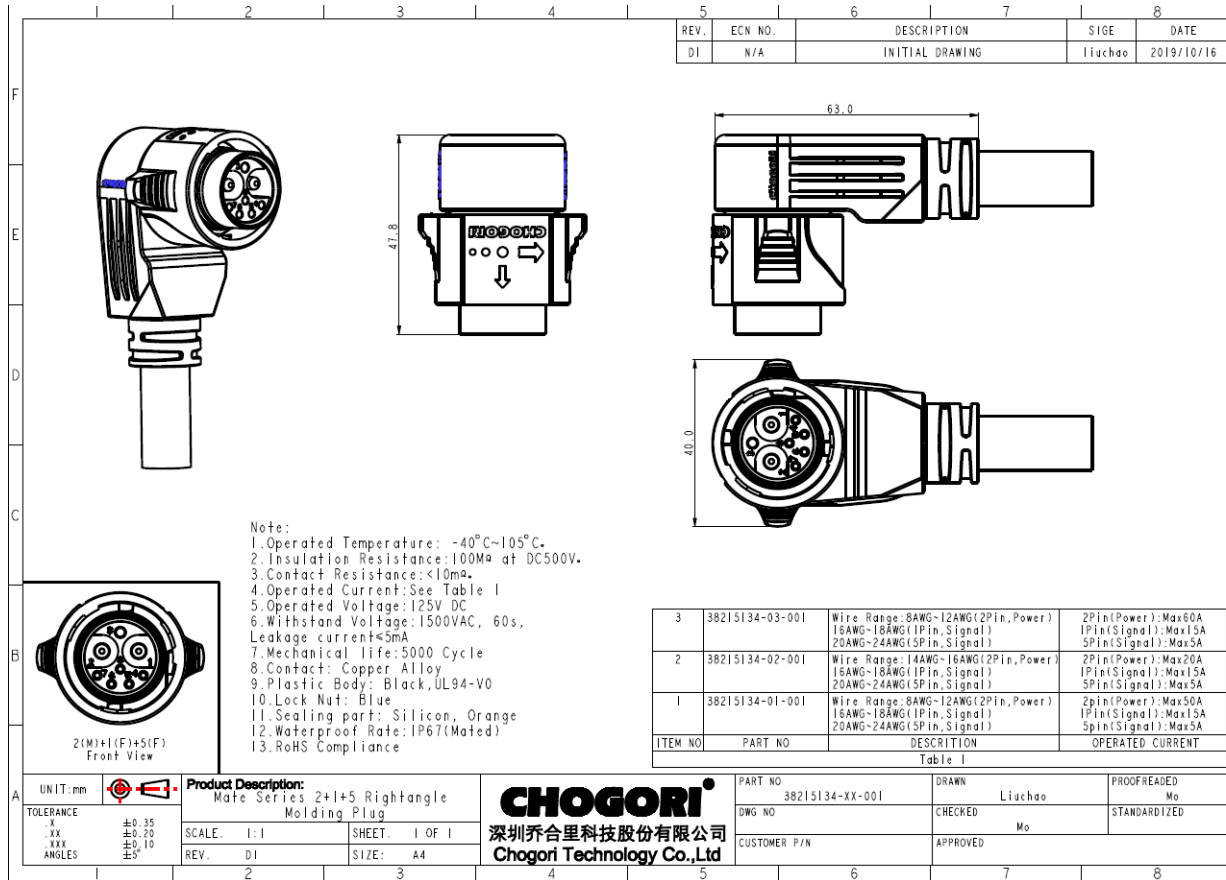
UNIT: mm	
TOLERANCE	
.X	$\pm 0.35$
.XX	$\pm 0.20$
.XXX	$\pm 0.10$
ANGLES	$\pm 5^\circ$

<b>Product Description:</b>	
Mate Series 2+1+5 Straight Molding Plug	
SCALE: 1:1	SHEET: 1 OF 1
REV: DI	SIZE: A4

**CHOGORI**  
 深圳齐合里科技股份有限公司  
 Chogori Technology Co.,Ltd

PART NO	38215133-XX-001	DRAWN	Liuchao	PROOFREAD	Mo
DWG NO		CHECKED	Mo	STANDARDIZED	
CUSTOMER P/N		APPROVED			

THIS INFORMATION IS CONFIDENTIAL AND IS DISCLOSED TO YOU ON CONDITION THAT YOU HEREBY ASSUME RESPONSIBILITY AND OBLIGATION TO KEEP THIS INFORMATION FROM BEING DISCLOSED TO OTHERS.



REV.	ECN NO.	DESCRIPTION	SIGE	DATE
DI	N/A	INITIAL DRAWING	liuchao	2019/10/16

- Note:
1. Operated Temperature: -40°C~105°C.
  2. Insulation Resistance: 100M $\Omega$  at DC500V.
  3. Contact Resistance: <10m $\Omega$ .
  4. Operated Current: See Table 1
  5. Operated Voltage: 125V DC
  6. Withstand Voltage: 1500VAC, 60s, Leakage current<5mA
  7. Mechanical life: 5000 Cycle
  8. Contact: Copper Alloy
  9. Plastic Body: Black, UL94-V0
  10. Lock Nut: Blue
  11. Sealing part: Silicon, Orange
  12. Waterproof Rate: IP67(Mated)
  13. RoHS Compliance

3	38215134-03-001	Wire Range: 8AWG~12AWG(2Pin, Power) 16AWG~18AWG(1Pin, Signal) 20AWG~24AWG(5Pin, Signal)	2Pin(Power): Max60A 1Pin(Signal): Max15A 5Pin(Signal): Max5A
2	38215134-02-001	Wire Range: 14AWG~16AWG(2Pin, Power) 16AWG~18AWG(1Pin, Signal) 20AWG~24AWG(5Pin, Signal)	2Pin(Power): Max20A 1Pin(Signal): Max15A 5Pin(Signal): Max5A
1	38215134-01-001	Wire Range: 8AWG~12AWG(2Pin, Power) 16AWG~18AWG(1Pin, Signal) 20AWG~24AWG(5Pin, Signal)	2Pin(Power): Max50A 1Pin(Signal): Max15A 5Pin(Signal): Max5A
ITEM NO.	PART NO.	DESCRIPTION	OPERATED CURRENT
Table 1			

A	UNIT: mm		<b>Product Description:</b> Mate Series 2+1+5 Rightangle Molding Plug
	TOLERANCE	±0.35 .XX ±0.20 .XXX ±0.10 ANGLES	SCALE: 1:1
			SHEET: 1 of 1
			REV. D1

**CHOGORI**  
 深圳齐合里科技股份有限公司  
 Chogori Technology Co.,Ltd

PART NO	38215134-XX-001	DRAWN	Liuchao	PROOFREAD	Mo
DWG NO		CHECKED	Mo	STANDARDIZED	
CUSTOMER P/N		APPROVED			

THIS INFORMATION IS CONFIDENTIAL AND IS DISCLOSED TO YOU ON CONDITION THAT NO OTHER DISCLOSURE IS MADE BY YOU TO OTHER THIRD PARTIES. PERSONNEL AUTHORIZED REPRESENTATION FROM CHOGORI CORP.