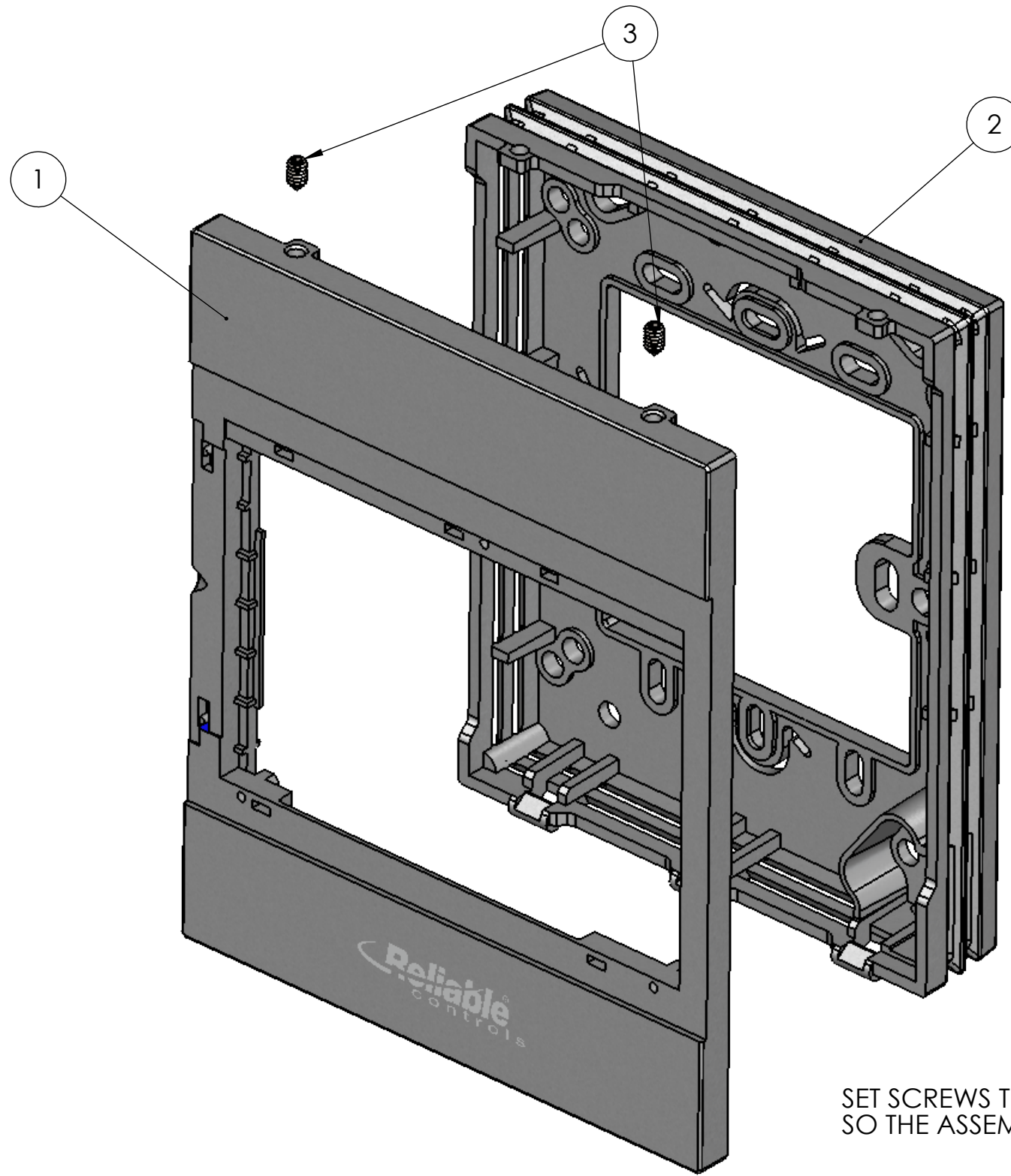


REVISIONS			
REV.	DESCRIPTION	DATE	APPROVED
A01	INITIAL RELEASE	5/16/2016	JW
B01	CHANGES TO PART FILES	11/10/2016	JW



SET SCREWS TO BE INSTALLED HALFWAY
SO THE ASSEMBLY CAN BE OPENED WITHOUT UNSCREWING

ITEM NO.	PART NUMBER	DESCRIPTION	QTY.
1	EC-MPV-FP-T	MPSTAT FACEPLATE IN TITANIUM	1
2	EC-MPV-BP	MPV BACKPLATE IN TITANIUM	1
3	HW-SS632X25	HEX SET SCREW, 6-32, 1/4"	2

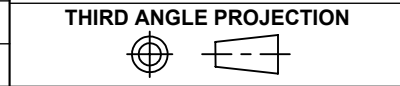
This drawing is the property of Reliable Controls Corporation. It is furnished in confidence for evaluation purposes only and shall not be disclosed or used for any other purpose except as specified by contract between the recipient and Reliable Controls Corporation. Duplication of any portion of this data requires permission writing from Reliable Controls Corporation and shall include this legend.

UNLESS OTHERWISE SPECIFIED
TOLERANCES ARE:
DECIMALS SURF FNSH ANGLES
.X ±.5
.XX ±.25
.XXX ±.125
.XXXX ±.0125
63
±1°
REMOVE ALL BURRS AND BREAK
ALL SHARP EDGES
DO NOT SCALE DRAWING

UNITS IN MM	
DESIGNED	Jim Ward 4/4/2014
DRAWN	Jim Ward 5/11/2016
CHECKED	-

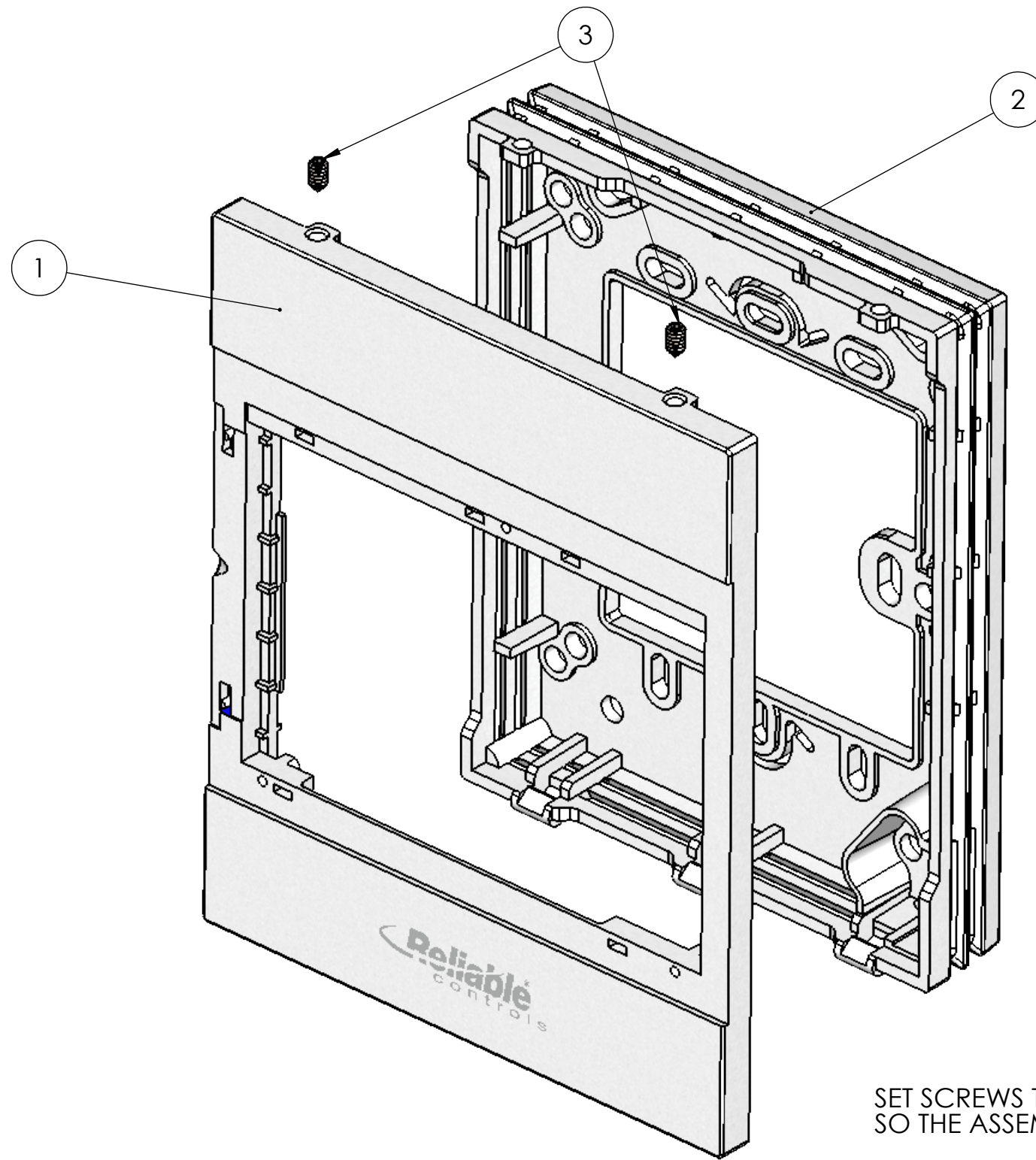
Reliable controls
www.reliable-controls.com

Reliable Controls Corporation
120 Hallowell Road
Victoria, British Columbia
Canada V9A 7K2
Toll Free: 1(877) 475-9301
Tel: (250) 475-2036



MATERIAL: Material <not specified>
FINISH: N/A

DESCRIPTION		Mach ProView in Titanium	
SIZE	PART NO	SCALE	REV.
B	EC-MPV-T	1:1	B01
CAD FILE:		SHEET	
EC-MPV		1 OF 2	



SET SCREWS TO BE INSTALLED HALFWAY
SO THE ASSEMBLY CAN BE OPENED WITHOUT UNSCREWING

This drawing is the property of Reliable Controls Corporation. It is furnished in confidence for evaluation purposes only and shall not be disclosed or used for any other purpose except as specified by contract between the recipient and Reliable Controls Corporation. Duplication of any portion of this data requires permission writing from Reliable Controls Corporation and shall include this legend.

UNLESS OTHERWISE SPECIFIED
TOLERANCES ARE:
DECIMALS SURF FNSH ANGLES
.X ±.5 63 ±1°
.XX ±.25
.XXX ±.125
.XXXX ±.0125
REMOVE ALL BURRS AND BREAK
ALL SHARP EDGES

UNITS IN MM		
APPROVALS	Jim Ward	DATE 4/4/2014
DRAWN:	Jim Ward	5/11/2016
CHECKED:	-	-

Reliable controls
www.reliable-controls.com
Reliable Controls Corporation
120 Hallowell Road
Victoria, British Columbia
Canada V9A 7K2
Toll Free: 1(877) 475-9301
Tel: (250) 475-2036

ITEM NO.	PART NUMBER	DESCRIPTION	QTY.
1	EC-MPV-FP-T	MPV FACEPLATE IN WHITE	1
2	EC-MPV-BP	MPV BACKPLATE IN WHITE	1
3	HW-SS632X25	HEX SET SCREW, 6-32, 1/4"	2

THIRD ANGLE PROJECTION

MATERIAL: Material <not specified>
FINISH: N/A

DESCRIPTION		Mach ProView in White	
SIZE	PART NO	SCALE	REV.
B	EC-MPV-W	1:1	A01
CAD FILE:		SHEET	
EC-MPV		2 OF 2	