

THE FASTEST  
CONNECTION  
IS HERE



4G

# 4G LTE Antenna

## UND-PAN583NF



Frequency :698~2690MHZ

Gain : 10dBi

V.S.W.R : <1.5:1

Impedance : 50 ohm

Connector :N/F

Cable : RG-142/30cm

Material : ABS & Aluminum

Dimensions: 200x178x40mm

Color: White

Mount: Wall Mount

Weight:600g

Temperature:-40°C to +60°C

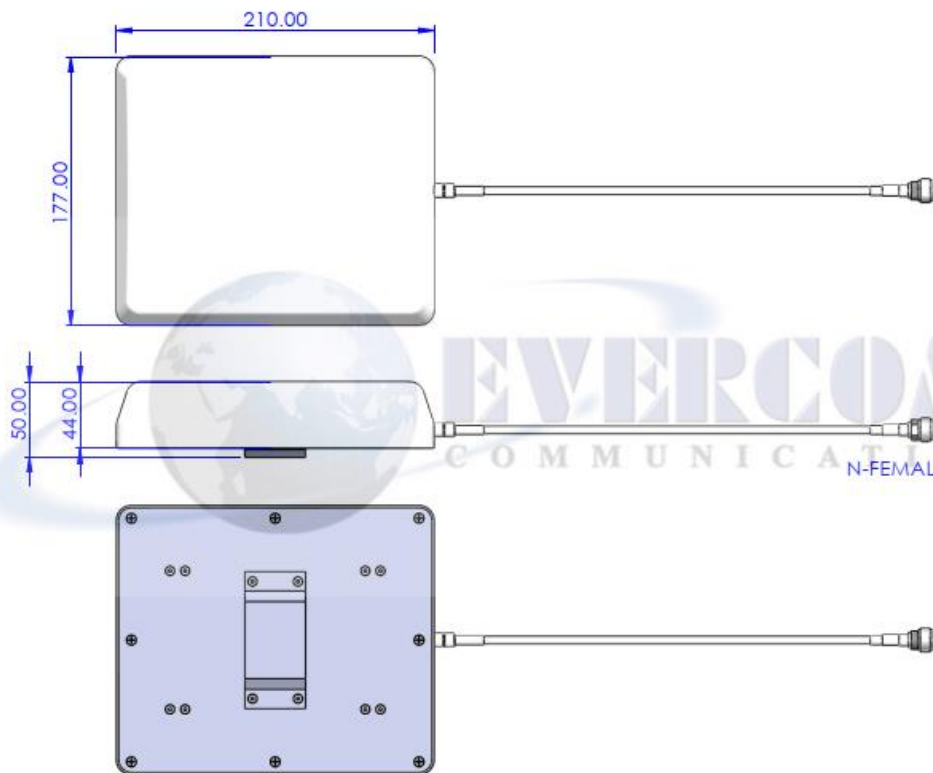
EVERCOM COMMUNICAITON TECHNOLOGY CO., LTD.

No.108 Jiesin St. Taoyuan District Taoyuan City 33063, Taiwan R.O.C.

Tel: +886-3- 376- 5678 Fax: +886-3- 376- 5319 E-Mail: [service@evercomtech.com](mailto:service@evercomtech.com)



ISO 9001



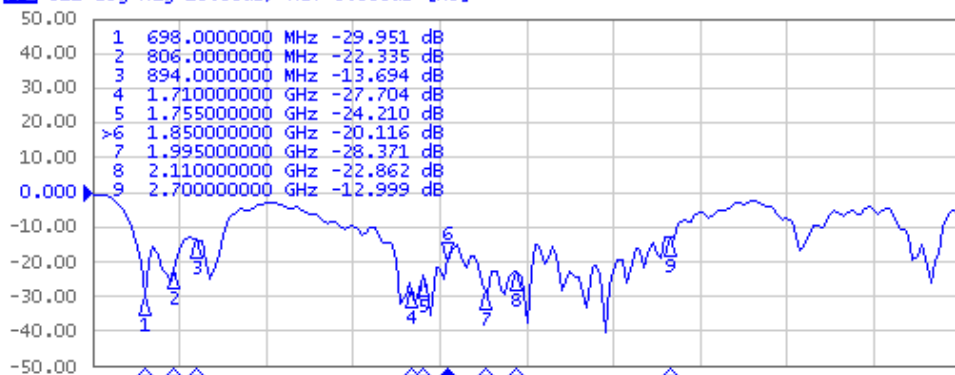
EVERCOM<sup>®</sup>  
COMMUNICATION TECHNOLOGY

N-FEMALE

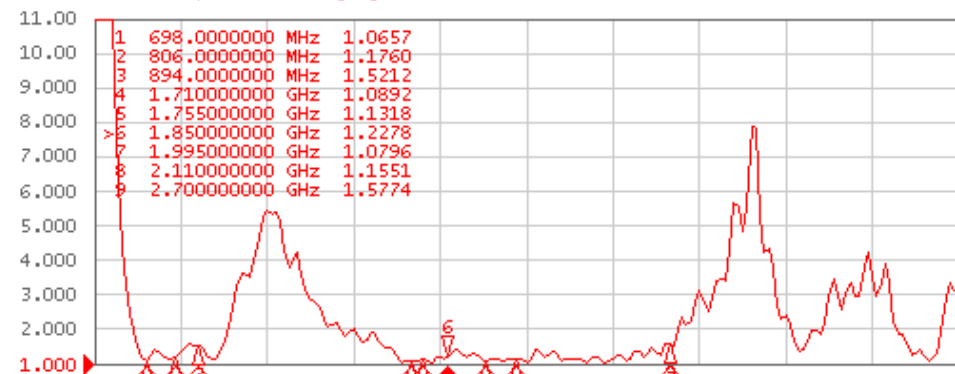
	EVERCOM COMMUNICATION TECHNOLOGY CO.; LTD		CHECKED BY	APPROVAL BY	DESIGNED BY	SCALE	UNIT
	MODEL NAME	MODEL NO.	UND-PAN583NF		<i>Ben</i> 2019.10.01	W.C.W 2019.10.01	1:3

1 Active Ch/Trace 2 Response 3 Stimulus 4 Mkr/Analysis 5 Instr State

Tr1 S11 Log Mag 10.00dB/ Ref 0.000dB [R0]



Tr2 S11 SWR 1.000/ Ref 1.000 [R0]



Center 2.15 GHz IFBW 70 kHz Span 3.3 GHz Cor

System

Print

Abort Printing

Printer Setup...

Invert Image  
ON

Dump  
Screen Image...

E5091A Setup

Misc Setup

Backlight  
ON

Firmware  
Revision

Meas Stop ExtRef Ready Svc 2019-04-02 15:31

THE FASTEST  
CONNECTION  
IS HERE.

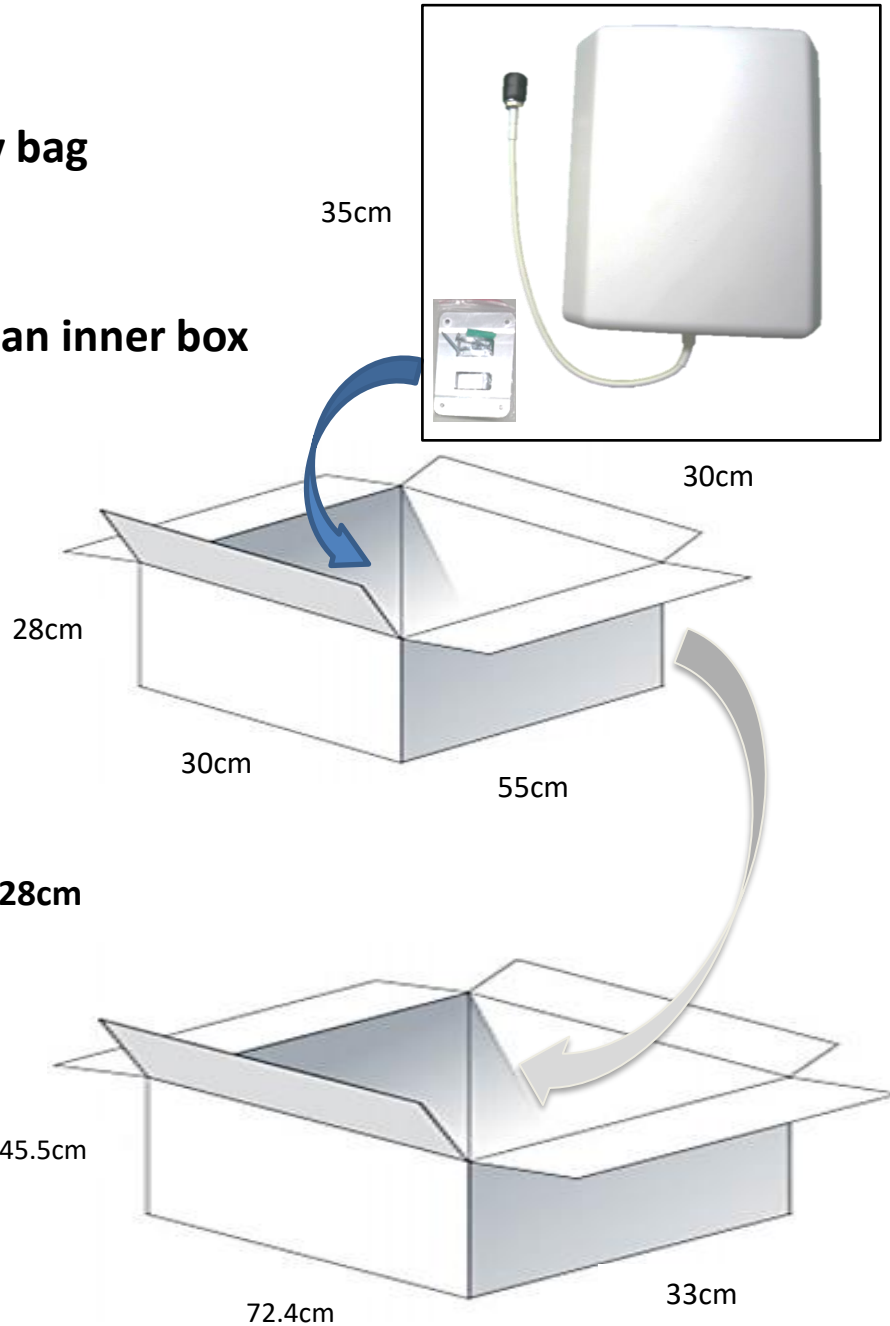


4G

## Packaging

Antenna pack in a poly bag

A set of antenna put in an inner box



10 PCS Per Carton

Carton Dimensions: 55\*30\*28cm



# Antenna Applications

