

Liquid-tight Flexible Conduit Connector

- Die cast zinc (zinc alloy), zinc plated.



B2182

Features

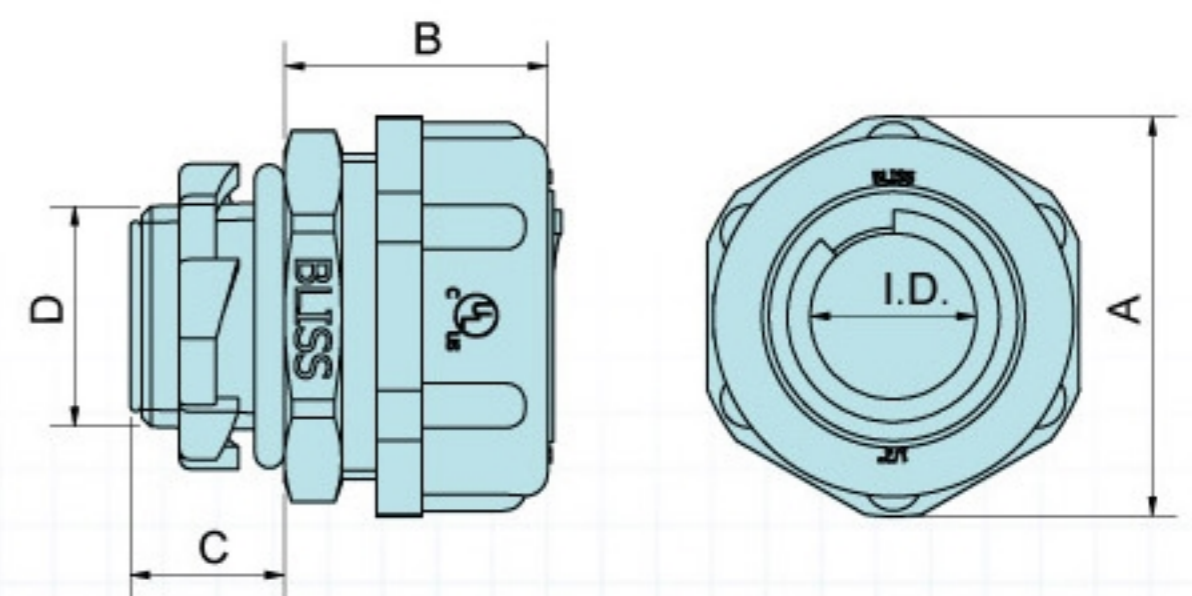
UL/cULus Listed – File No. E136208

- Die cast zinc (zinc alloy), zinc plated.
- For liquid-tight flexible metal conduit.
- According to NEC 350.6, flexible metal conduit assembled with connector are able to apply on dangerous areas Class 1 Division 2, Class 2 Division 1,2, and Class 3 Division 1,2.

Standards:

1. UL 514B
2. CSA C22.2 No. 18.3/NMX-J-017-ANCE
3. ANSI/NEMA FB1
4. ANSI/NFPA 70 NEC article 350

B2182 Assmeby illustration :



B2182

- NPT thread
- Furnished with locknut, insulating liner and O-ring

Thread	Trade Size (inch)	Catalog Number	Dimension (mm)					Standard Packing (pcs)
			I.D.	A	B	C	D	
NPT 1/2	3/8"	B21820300	11.5	29.0	22.0	14.5	21.0	100
NPT 1/2	1/2"	B21820400	14.5	35.0	22.0	14.5	21.0	100
NPT 3/4	3/4"	B21820600	19.5	42.0	27.0	16.0	26.4	50
NPT 1	1"	B21821000	25.0	48.5	31.0	19.5	33.3	50
NPT 1-1/4	1-1/4"	B21821200	33.5	59.0	34.5	20.5	41.9	25
NPT 1-1/2	1-1/2"	B21821400	38.5	68.0	36.5	24.5	47.8	20
NPT 2	2"	B21822000	49.5	82.5	43.0	27.0	59.6	10
NPT 2-1/2	2-1/2"	B21822400 *	60.0	93.5	36.0	27.0	72.7	1
NPT 3	3"	B21823000 *	75.0	110.0	36.0	27.0	88.6	1
NPT 4	4"	B21824000 *	97.0	137.0	36.0	27.0	114.0	1

*Not UL Listed