

Female Threaded Combination Coupling


C2101

Features

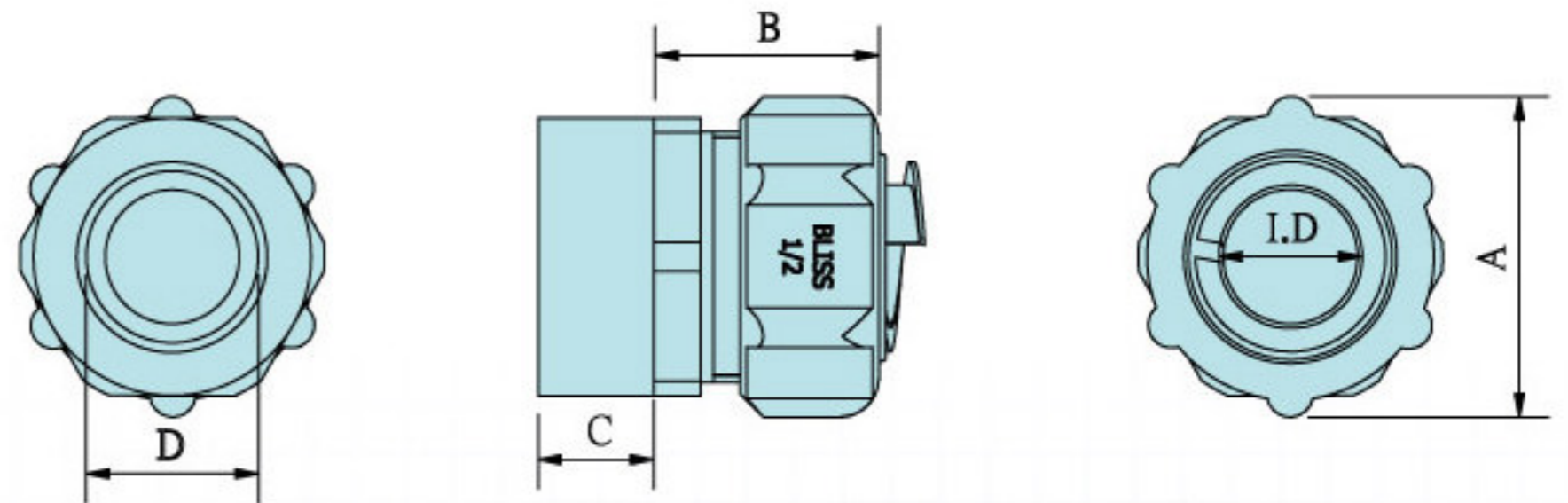
- Malleable iron, ductile cast iron or steel, zinc plated.
- For connecting rigid steel conduit (RSC) with flexible conduit
- UL/cULus Listed – File No. E136208
- UL Listed Trade Size: 3/4"~ 4", meet UL 514B and CSA : C22.2 No.18

Standards:

1. UL 514B
2. CSA C22.2 No. 18.3/NMX-J-017-ANCE
3. ANSI/NEMA FB1
4. ANSI/NFPA 70 NEC article 350



C2101 Assembly Illustration:
RSC + Body + Ferrule + Gland Packing + Cap Nut + BLISS Flexible Conduit


C2101

- NPT Thread, female threaded
- C2111 PT thread, female threaded available, trade size 2-1/2"~4".

Thread	Trade Size (inch)	Catalog Number	Dimension (mm)					Standard Packing (pcs)
			I.D.	A	B	C	D	
NPT 1/2	1/2"	C21010400*	14.5	34.5	22.5	12.5	18.6	50
NPT 3/4	3/4"	C21010600	19.5	41.5	28.0	14.0	24.1	50
NPT 1	1"	C21011000	25.0	46.0	31.5	17.5	30.3	25
NPT 1-1/4	1-1/4"	C21011200	33.5	55.5	34.0	18.0	39.0	25
NPT 1-1/2	1-1/2"	C21011400	38.5	63.2	36.5	21.5	44.8	20
NPT 2	2"	C21012000	49.5	76.0	44.5	24.0	56.7	10
NPT 2-1/2	2-1/2"	C21012400	60.0	99.2	58.5	33.5	67.6	1
PT 2-1/2	2-1/2"	C21112400*	60.0	99.2	58.5	33.5	72.2	1
NPT 3	3"	C21013000	75.0	118.3	60.5	35.0	83.5	1
PT 3	3"	C21113000*	75.0	118.3	60.5	35.0	84.9	1
NPT 4	4"	C21014000	97.0	145.3	58.0	38.0	108.9	1
PT 4	4"	C21114000*	97.0	145.3	58.0	38.0	110.1	1

*Not UL Listed