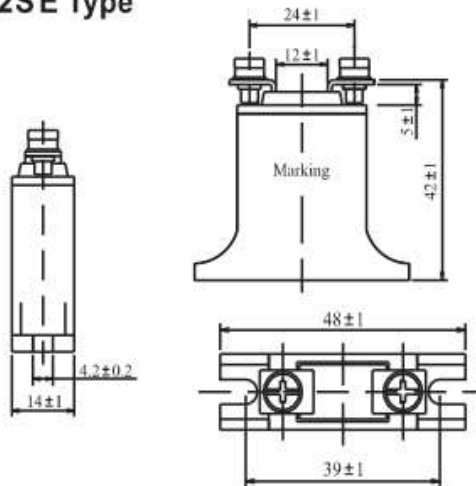


E TYPE(PLASTIC ENCLOSURE)

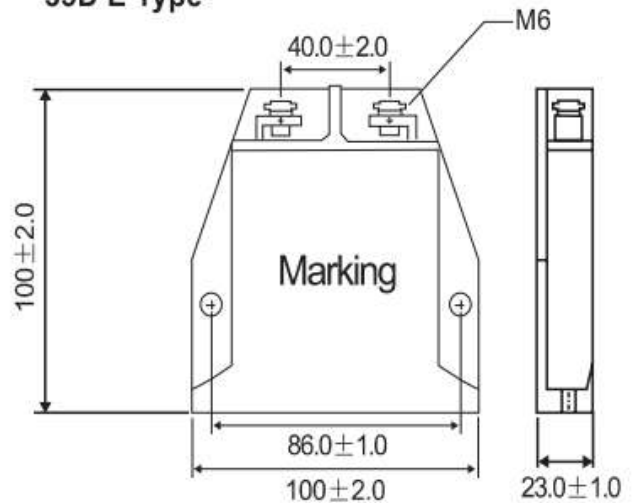
Explanations of Part Numbers

CNR	25	D	385	E
Common Code	Nominal Disc Diameter	Disc Shape	Max Allowable AC Voltage	Enclosure
Surge protective device	20	20mm	D Disc	E Plastic case
	22	22mm		
	25	25mm		
	32	32mm		
	40	40mm		
	53	53mm		
		LS Square	35	35 Vac
			130	130Vac
			385	385Vac
			680	680Vac
			1000	1000Vac

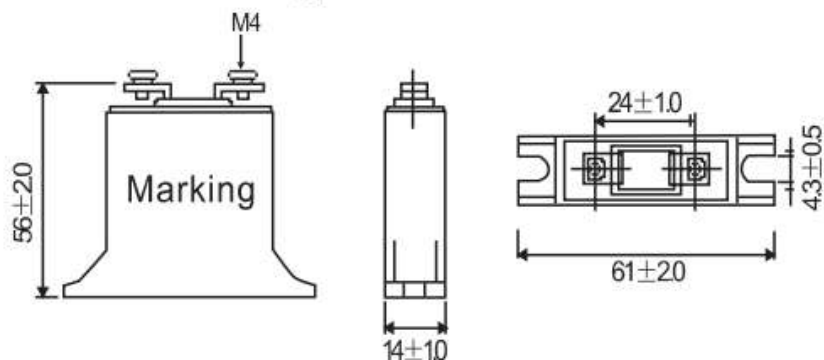
20D 22SE Type



53D E Type

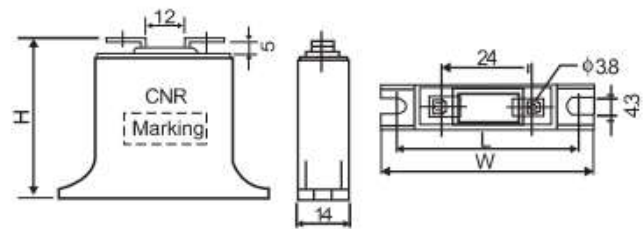


25D 32D 40LS E Type



25mm (25D E Series)

E Series



Device Ratings and Characteristics

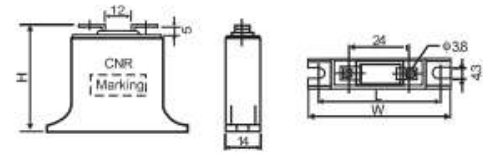
Part No.	Maximum Allowable Voltage		Varistor Voltage (@ 1 mA)			Clamping Voltage @ Test Current (8/20 μ s)		Maximum Energy (2ms) (J)	Maximum Peak Current (8/20 μ s) (A)	Rated Power (W)	Typical Capacitance (@1KHz) (pF)	Safety UI1449
	ACrms(V)	DC(V)	Min.	Vb(Vdc)	Max.	Vc (V)	I _p (A)					
CNR-25D035	35	45	50	56	66	110	30	9.2	5000	0.4	7500	☆
CNR-25D040	40	56	61	68	80	135	30	11.1	5000	0.4	7000	☆
CNR-25D050	50	65	74	82	90	135	150	37.6	15000	1.0	6900	☆
CNR-25D060	60	85	90	100	110	165	150	46.0	15000	1.0	6500	☆
CNR-25D075	75	100	108	120	132	200	150	55.2	15000	1.0	6100	☆
CNR-25D095	95	125	135	150	165	250	150	69.0	15000	1.0	5800	☆
CNR-25D115	115	150	162	180	198	300	150	82.2	15000	1.0	5500	☆
CNR-25D130	130	170	185	205	225	340	150	125	20000	1.0	5200	☆
CNR-25D140	140	180	198	220	242	360	150	130	20000	1.0	4700	☆
CNR-25D150	150	200	216	240	264	395	150	145	20000	1.0	4400	☆
CNR-25D175	175	225	247	275	303	455	150	170	20000	1.0	4000	☆
CNR-25D195	195	250	270	300	330	505	150	175	20000	1.0	3800	☆
CNR-25D210	210	275	297	330	363	550	150	180	20000	1.0	3000	☆
CNR-25D230	230	300	324	360	396	595	150	190	20000	1.0	2600	☆
CNR-25D250	250	320	351	390	429	650	150	210	20000	1.0	2500	☆
CNR-25D275	275	350	387	430	473	710	150	220	20000	1.0	2200	☆
CNR-25D300	300	385	423	470	517	775	150	225	20000	1.0	2100	☆
CNR-25D320	320	410	459	510	561	845	150	230	20000	1.0	1900	☆
CNR-25D345	345	460	504	560	616	925	150	235	20000	1.0	1800	☆
CNR-25D385	385	505	558	620	682	1025	150	240	20000	1.0	1700	☆
CNR-25D420	420	560	612	680	748	1120	150	250	20000	1.0	1600	☆
CNR-25D460	460	615	675	750	825	1240	150	275	20000	1.0	1500	☆
CNR-25D485	485	640	702	780	858	1290	150	290	20000	1.0	1300	☆
CNR-25D510	510	670	738	820	902	1355	150	300	20000	1.0	1200	☆
CNR-25D550	550	745	819	910	1001	1500	150	340	20000	1.0	1100	☆
CNR-25D625	625	825	900	1000	1100	1650	150	375	20000	1.0	990	☆
CNR-25D680	680	895	990	1100	1210	1815	150	390	20000	1.0	920	☆
CNR-25D750	750	985	1080	1200	1320	1980	150	552	15000	1.0	850	☆
CNR-25D1000	1000	1465	1620	1800	1980	2970	150	828	15000	1.0	850	☆

Related Standards

Standard No.	Title	File No.	Symbols
UL 1449 (3rd Edition)	Surge Protective Device Suppressors	E316325	☆

32mm (32D E Series)

E Series



Device Ratings and Characteristics

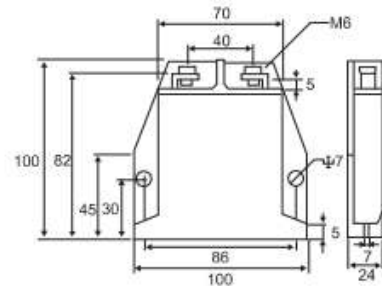
Part No.	Maximum Allowable Voltage		Varistor Voltage (@ 1 mA)			Clamping Voltage @ Test Current (8/20 μ s)		Maximum Energy (2ms) (J)	Maximum Peak Current (8/20 μ s) (A)	Rated Power (W)	Typical Capacitance (@1KHz) (pF)	Safety UI1449
	ACrms(V)	DC(V)	Min.	Vb(Vdc)	Max.	Vc (V)	Ip (A)					
CNR-32D035	35	45	50	56	66	110	30	9.2	5000	0.4	7500	☆
CNR-32D040	40	56	61	68	80	135	30	11.1	5000	0.4	7000	☆
CNR-32D050	50	65	74	82	90	135	150	37.6	15000	1.0	6900	☆
CNR-32D060	60	85	90	100	110	165	150	46.0	15000	1.0	6500	☆
CNR-32D075	75	100	108	120	132	200	150	55.2	15000	1.0	6100	☆
CNR-32D095	95	125	135	150	165	250	150	69.0	15000	1.0	5800	☆
CNR-32D115	115	150	162	180	198	300	150	82.2	15000	1.0	5500	☆
CNR-32D130	130	170	185	205	225	340	200	210	30000	1.2	5800	☆
CNR-32D140	140	180	198	220	242	360	200	225	30000	1.2	4000	☆
CNR-32D150	150	200	216	240	264	395	200	240	30000	1.2	2400	☆
CNR-32D175	175	225	247	275	303	455	200	255	30000	1.2	2100	☆
CNR-32D195	195	250	270	300	330	505	200	280	30000	1.2	2000	☆
CNR-32D210	210	275	297	330	363	550	200	305	30000	1.2	1600	☆
CNR-32D230	230	300	324	360	396	595	200	325	30000	1.2	1400	☆
CNR-32D250	250	320	351	390	429	650	200	350	30000	1.2	1400	☆
CNR-32D275	275	350	387	430	473	710	200	400	30000	1.2	1200	☆
CNR-32D300	300	385	423	470	517	775	200	405	30000	1.2	1100	☆
CNR-32D320	320	410	459	510	561	845	200	430	30000	1.2	1000	☆
CNR-32D345	345	460	504	560	616	925	200	470	30000	1.2	980	☆
CNR-32D385	385	505	558	620	682	1025	200	550	30000	1.2	900	☆
CNR-32D420	420	560	612	680	748	1120	200	600	30000	1.2	830	☆
CNR-32D460	460	615	675	750	825	1240	200	610	30000	1.2	790	☆
CNR-32D485	485	640	702	780	858	1290	200	620	30000	1.2	720	☆
CNR-32D510	510	670	738	820	902	1355	200	630	30000	1.2	640	☆
CNR-32D550	550	745	819	910	1001	1500	200	650	30000	1.2	570	☆
CNR-32D625	625	825	900	1000	1100	1650	200	680	30000	1.2	530	☆
CNR-32D680	680	895	990	1100	1210	1815	200	760	30000	1.2	490	☆
CNR-32D750	750	985	1080	1200	1320	1980	150	552	15000	1.0	850	☆
CNR-32D1000	1000	1465	1620	1800	1980	2970	150	828	15000	1.0	850	☆

Related Standards

Standard No.	Title	File No.	Symbols
UL 1449 (3rd Edition)	Surge Protective Device Suppressors	E316325	☆

53mm (53D E Series)

E Series



Device Ratings and Characteristics

Part No.	Maximum Allowable Voltage		Varistor Voltage (@ 1 mA)			Clamping Voltage @ Test Current (8/20 μ s)		Maximum Energy (2ms)	Maximum Peak Current (8/20 μ s)	Rated Power	Typical Capacitance (@1KHz)	Safety
	ACrms(V)	DC(V)	Min.	Vb(Vdc)	Max.	Vc (V)	I _p (A)					
CNR-53D130	130	170	185	205	225	340	500	490	70000	1.5	13800	
CNR-53D140	140	180	198	220	242	360	500	530	70000	1.5	13200	
CNR-53D150	150	200	216	240	264	395	500	570	70000	1.5	13000	
CNR-53D175	175	225	247	275	303	455	500	630	70000	1.5	12600	
CNR-53D195	195	250	270	300	330	505	500	650	70000	1.5	11500	
CNR-53D210	210	275	297	330	363	550	500	680	70000	1.5	10500	
CNR-53D230	230	300	324	360	396	595	500	730	70000	1.5	10200	
CNR-53D250	250	320	351	390	429	650	500	880	70000	1.5	8400	
CNR-53D275	275	350	387	430	473	710	500	950	70000	1.5	8100	
CNR-53D300	300	385	423	470	517	775	500	1000	70000	1.5	7200	
CNR-53D320	320	410	459	510	561	845	500	1100	70000	1.5	6300	
CNR-53D345	345	460	504	560	616	925	500	1200	70000	1.5	5100	
CNR-53D385	385	505	558	620	682	1025	500	1300	70000	1.5	3400	
CNR-53D420	420	560	612	680	748	1120	500	1500	70000	1.5	3300	
CNR-53D460	460	615	675	750	825	1240	500	1600	70000	1.5	3180	
CNR-53D485	485	640	702	780	858	1290	500	1650	70000	1.5	3000	
CNR-53D510	510	670	738	820	902	1355	500	1800	70000	1.5	3000	
CNR-53D550	550	745	819	910	1001	1500	500	2000	70000	1.5	2880	
CNR-53D625	625	825	900	1000	1100	1650	500	2200	70000	1.5	2760	
CNR-53D680	680	895	990	1100	1210	1815	500	2500	70000	1.5	2400	

Related Standards!

Standard No.	Title	File No.	Symbols
UL 1449 (3rd Edition)	Surge Protective Device Suppressors	E316325	☆